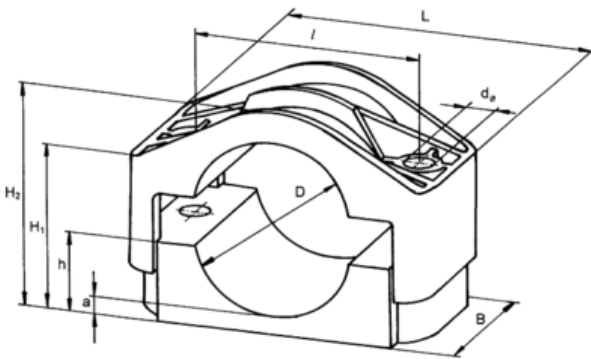


Series K

Data

Application:	Fastening of single- and multi-conductor cables unrestricted application indoors and outdoors
For cables with outer diameters of:	19 mm to 90 mm
Mechanical resistance to short-circuits:	12 500 N
Max. torque for tightening screws:	5 Nm

Outline



Dimensions

Dimensions in mm

Type	D_{\varnothing}	D_{\varnothing}^*	D_{\varnothing}^{**}	L	B	l	d_{\varnothing}	H_1	H_2	h	a
K 26/38	24-38	21-35	19-32	91	60	60	12	36-47	46-57	19	7
K 36/52	36-52	32-49	29-46	108	60	75	12	43-56	56-72	24	8
K 50/75	50-75	47-72	44-69	126	60	95	12	51-77	74-98	30	9
K 66/90	66-90	63-87	60-84	158	70	120	14	65-89	91-115	42	10

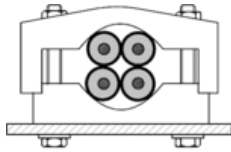
D_{\varnothing} : range of outer cable diameter D_{\varnothing}^* : ~ with one Elastic Inlay D_{\varnothing}^{**} : ~ with two Elastic Inlays

Application with Elastic Inlay

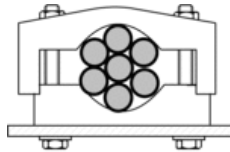
- as padding of the cables (for diameters ≥ 60 mm) to avoid damage of the cables under strain and/or change of surrounding temperature
- as secure fixation of the cables and absorption of forces due to the weight of the cables at vertical sections in any height (wind turbine generators, masts, shafts)
- as extension of the clamping range for the fixation of cables with smaller outer diameters

Fastening Examples

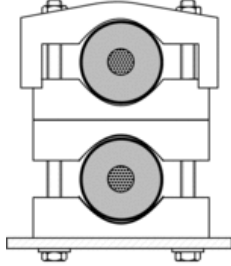
Series K



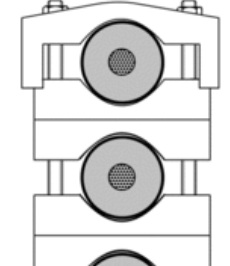
Also suitable for bundled fastening of four or more cables (range of cable outer diameter upon request).



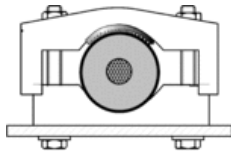
Also suitable for bundled fastening of four or more cables (range of cable outer diameter upon request).



Additional bottom parts for the stacking of several cables (not K 66/90).



Additional bottom parts for the stacking of several cables (not K 66/90).



Application with Elastic Inlay