

Dimensions in mm



ADS-R is a digital measuring amplifier for strain gauges bridge, including a 24 bit acquisition circuit with programmable gain and 3 analog outputs towards a supervision unit.

In the **standard mode**, the measuring amplifier allows the analog signal zeroing (calibration), and the output gain increasing / decreasing, by a three-buttons interface; the output tension is continuously visualised on the display, allowing, therefore, the adjustment without external instruments (tester or screw-driver).

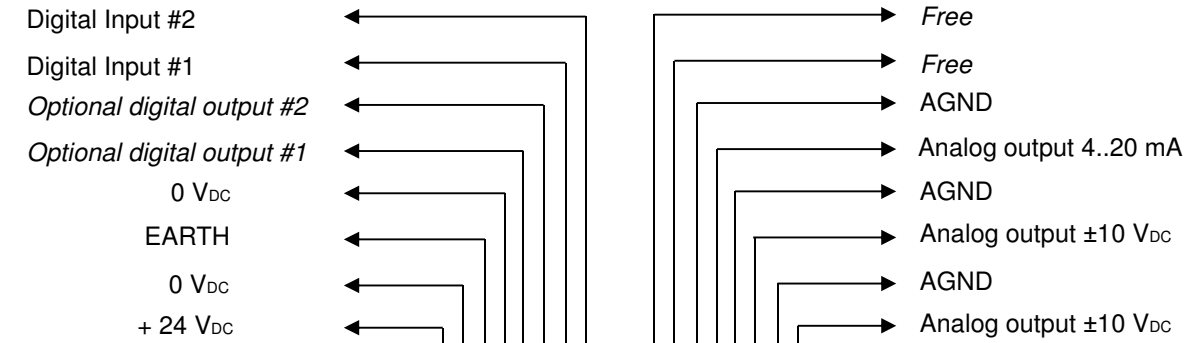
In the **advanced mode** (selectable by a special combination of keys), it is possible to program all operational parameters of the units, by the keyboard and the display: zero, gain (full scale in engineering unit), pass-band of the filter on the signal etc.; in normal operation, the display visualises the tension measurement, calculated according to the current parameters.

The ADS-R is also available with an RS485 interface, a CANopen DS404 interface, a Profibus DPv1 interface or a Profinet I/O interface

TECHNICAL CHARACTERISTICS

- External power supply 24VDC \pm 10% / 0.2A
- Interface for strain gauges bridge, characterised by:
 - bridge supply 5 VDC - 60 mA total (4 load cells 350 Ohm in parallel).
 - acquisition with a 24 bit ADC converter.
 - linearity 0,05% F.S.
 - thermal drift 0,001% F.S. / °C
 - independent sense wires.
- N. 2 analog outputs \pm 10 VDC, $R_o \geq 2$ KOhm.
- N. 1 analog output 4..20 mA , $R_o \leq 150$ Ohm.
- N. 2 opto-isolated digital inputs 24 VDC (positive logic).
- N. 2 opto-isolated optional digital outputs 24 VDC / 50 mA (positive logic).
- 5-digits display indicating the measured value (from +9999 to -9999).
- Key for zeroing the measured value / enter for the value in edit.
- Key for gain increasing / increasing digit for the value in edit.
- Key for gain decreasing / decreasing digit for the value in edit.
- Key for entering parametrization / abort for the value in edit.
- Key for selecting the digit in edit.
- Assembling on DIN guide step 23 mm (standard solution) or 35 mm (with expansion card).
- RS 485 optional expansion card.
- Profibus DPv1 optional expansion card.
- CANopen DS404 optional expansion card.
- Profinet I/O optional expansion card with integrated 2-ports switch.

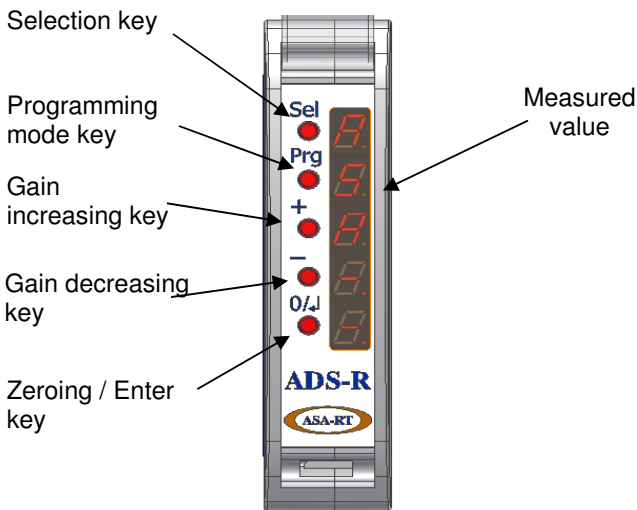
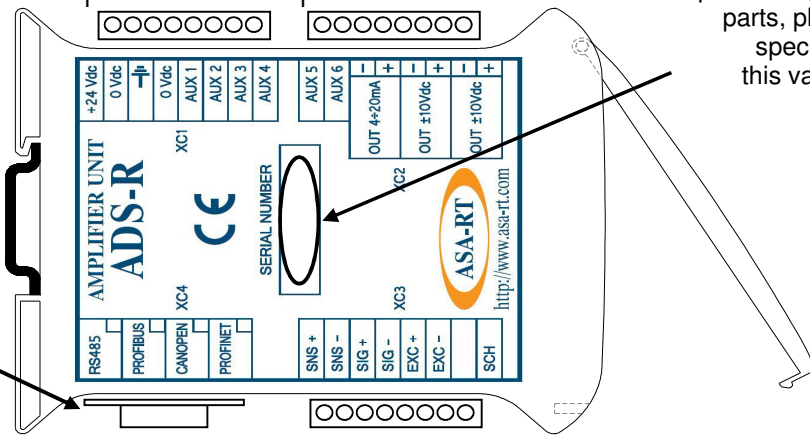
ELECTRICAL CONNECTION



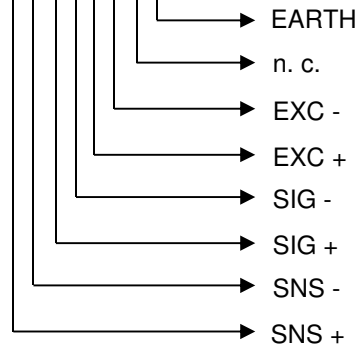
POWER SUPPLY

In case of purchasing spare parts, please specify this value

Optional connector(s) for RS485, CANOpen, Profibus or Profinet



LOAD CELL



ORDER CODE

