

## EK:4 - GHC10 AA101



**“RTK” Make up water on/off valve**

| KKS-No. | TYPE     | KIND OF DRIVE | MEDIUM  | DN | CONNECT.- TYPE |   |   |   | MATERIAL CASE     | MANUFACT.        | OPER. - TEMP. [°C]    | WEIGHT KG   | SUPPLIER VALVE POSITION ( NO / NC ) |     |
|---------|----------|---------------|---------|----|----------------|---|---|---|-------------------|------------------|-----------------------|-------------|-------------------------------------|-----|
|         |          |               |         | PN | CONNECT.       |   |   |   | MATERIAL INSTALL. | TYPE SPEC. - NO. | OPER. - PR. [bar (a)] | LENGTH MM   |                                     |     |
|         |          |               |         |    | F              | I | T | W | DIM.              |                  |                       |             |                                     |     |
| GHC10   | ON / OFF | Electrical    | Make Up | 80 |                |   |   |   | DIN               | HOLD             | RTK                   | 5 / 15 / 35 |                                     | GEA |
| AA101   | Valve    | AumaMatic     | Water   | 16 | x              |   |   |   | 2633              |                  | MV5311                | 4           |                                     | NC  |

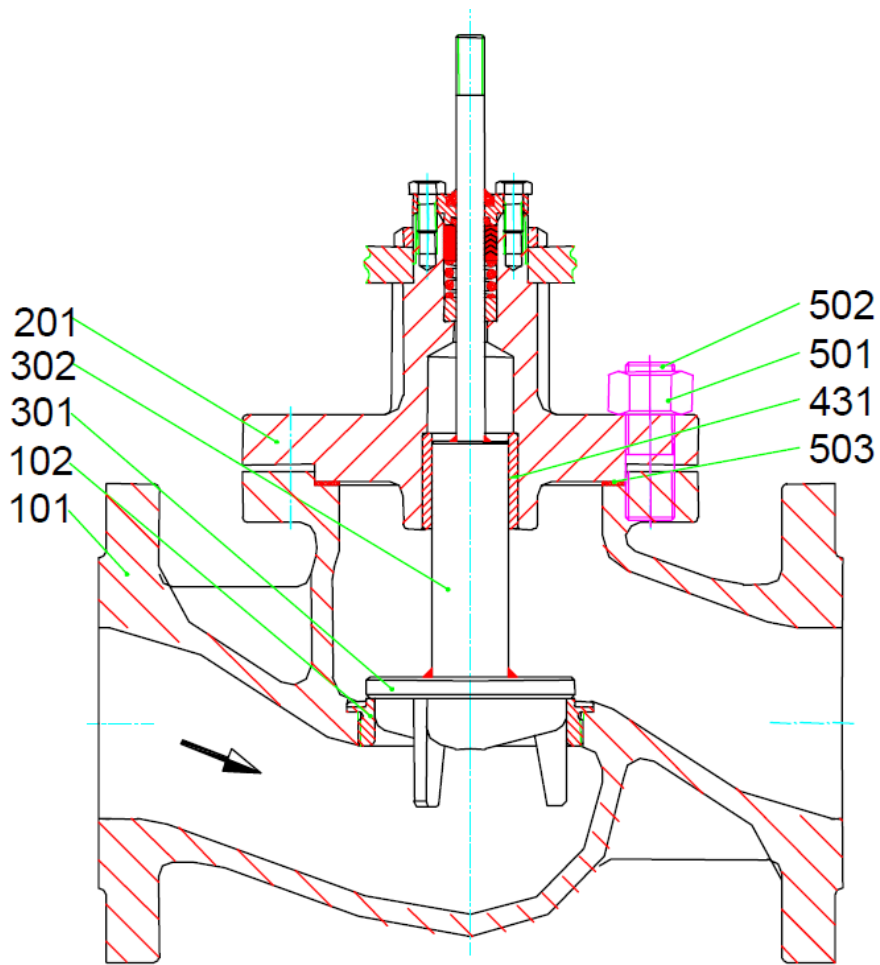
# ETIKETLER

## Vana Etiketi

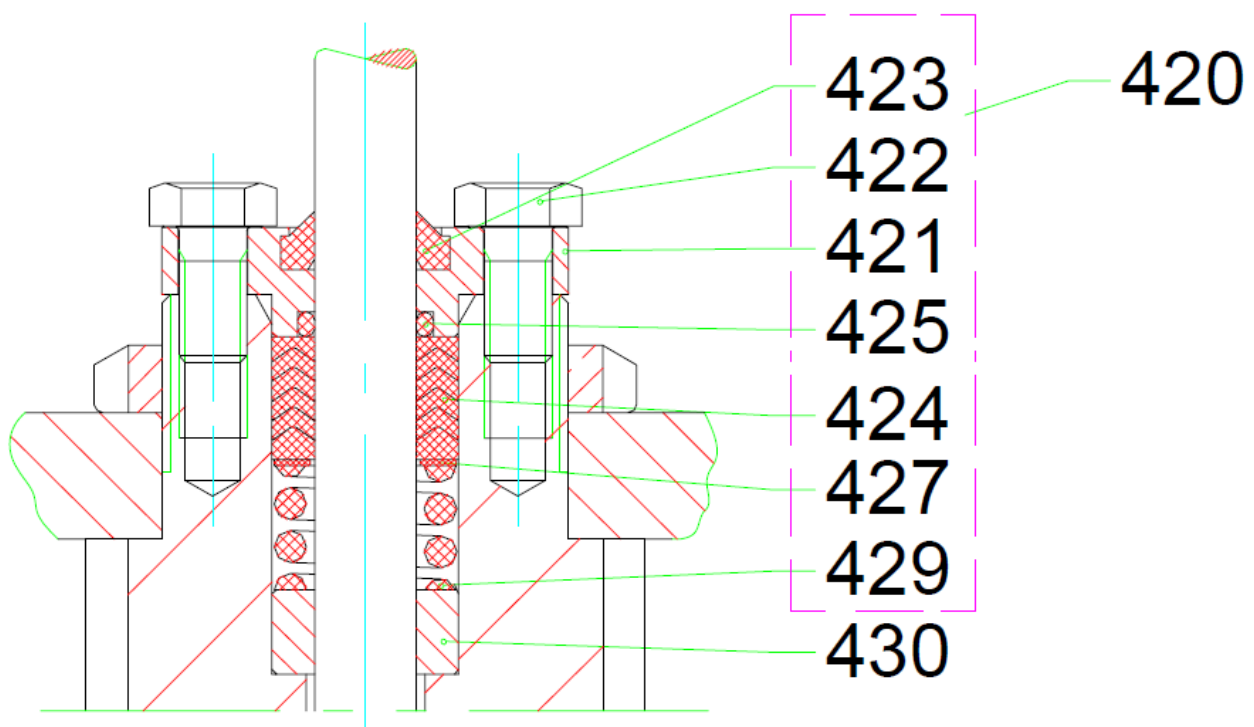


## Aktüatör etiketi





MV 5311 , PV6311  
DN80-150 , PN16-40



Ersatzteilliste / spare parts list / Liste de pièces détachées

| Pos |                                       |          | D                               | GB                                 | FR  |
|-----|---------------------------------------|----------|---------------------------------|------------------------------------|---|
| 101 | GJL250; GJS400-18-LT;<br>GP240GH;.... | BVG...   | Gehäuse                         | body                               | corps   |
| 102 | 1.4571                                | FSIR...  | Sitzring                        | seat ring                          | siège   |
| 201 | GG 25;GGG40.3;GS-C 25                 | BVD...   | Deckel                          | bonnet                             | couvercle                                     |
| 300 |                                       | BVK....  | Kegelgruppe                     | cone assembly                      | clapet  |
| 301 | 1.4122                                | FKKP...  | Kegelkopf                       | cone head                          | clapet  |
| 302 | 1.4571                                |          | Kegelspindel                    | cone spindle                       | tige  |
| 303 | 1.4571                                |          | Metallbalg                      | metal bellow                       | soufflet                                      |
| 304 | PTFE mit 25% Glasfaser                |          | Führungsring                    | bush                               | douille                                       |
| 420 |                                       | CVSHONAE | Spindelabdichtung<br>PTFE-Kohle | spindle packing<br>PTFE / graphite | garniture presse<br>étoupe<br>PTFE / graphite |
| 421 | Rg 7                                  |          | Führungsbuchse                  | fairlead bush                      | douille                                       |
| 422 | DIN 933-A2 M10X20                     |          | Sechskantschraube               | bolt                               | vis à tête                                    |
| 423 | N 90                                  |          | Abstreifring                    | scraper ring                       | anneau racleur                                |
| 424 | PTFE                                  | GDID.... | Dachmanschetten                 | chevron rings                      | manchettes                                    |
| 425 | EPDM                                  |          | O-Ring                          | o-ring                             | joint torique                                 |
| 426 | DIN 1804; M85x2 verz.                 |          | Nutmutter                       | slotted ring nut                   | écrou à rainures                              |
| 427 | 1.4301                                |          | Scheibe                         | washer                             | rondelle                                      |
| 428 | H II; C 22                            |          | Trägerplatte                    | mounting plate                     | Plaque support                                |
| 429 | 1.4310                                |          | Druckfeder                      | spring                             | ressort                                       |
| 430 | Rg 7                                  |          | Buchse                          | bush                               | douille                                       |
| 431 | G-Bz 12                               |          | Buchse                          | bush                               | douille                                       |
| 501 | C 35 Y                                |          | Sechskantmutter                 | nut                                | écrou six pans                                |
| 502 | Ck 35 Yk                              |          | Stiftschraube                   | stud                               | tige filetée                                  |
| 503 | Reingraphit                           | FDIF...  | Flachdichtring                  | gasket                             | joint plat                                    |
| 601 | GGG 40.3;GS-C 25                      | BVB...   | B-Flansch                       | B-flange                           | B-bride                                       |